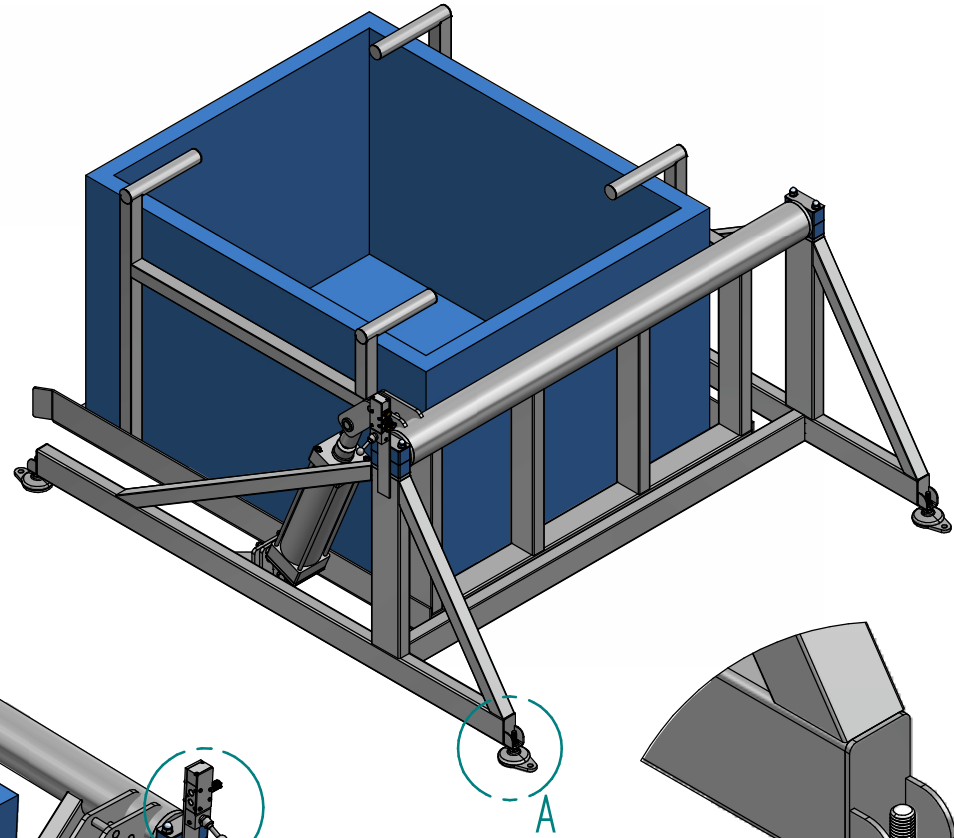
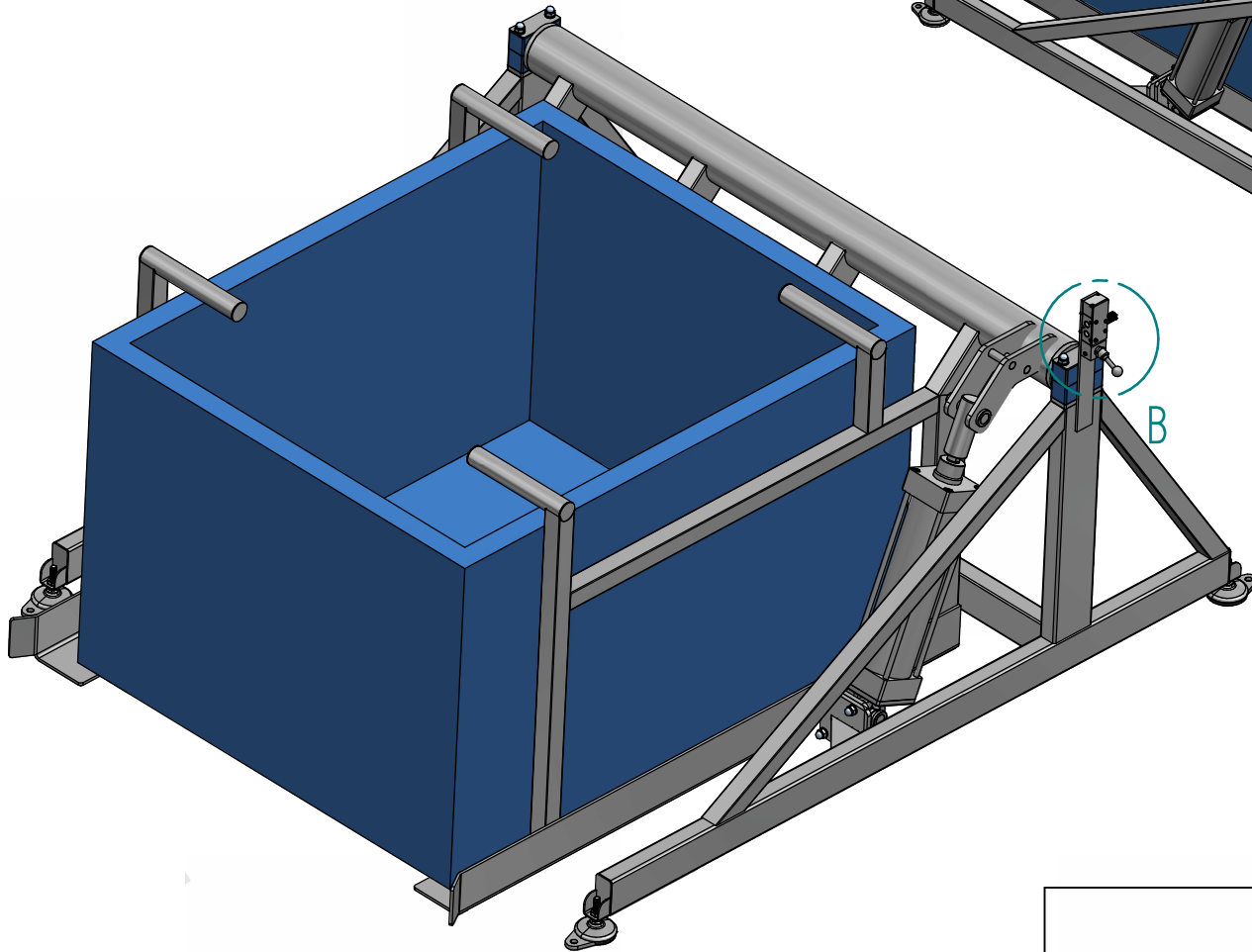


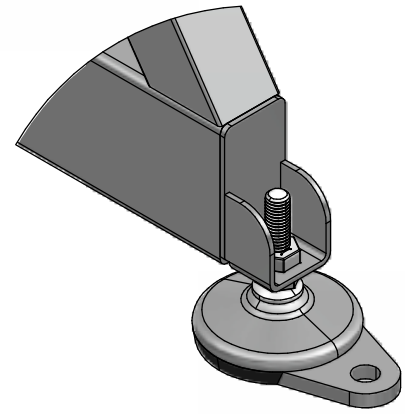
Detail = B



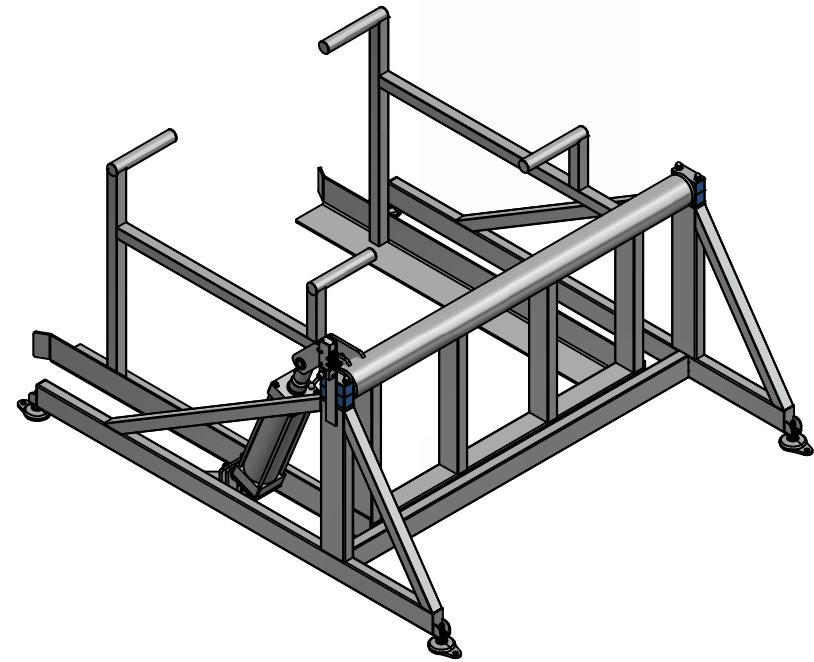
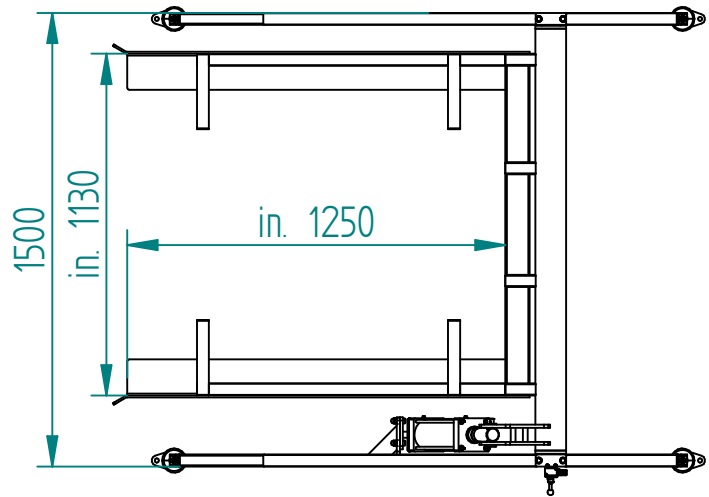
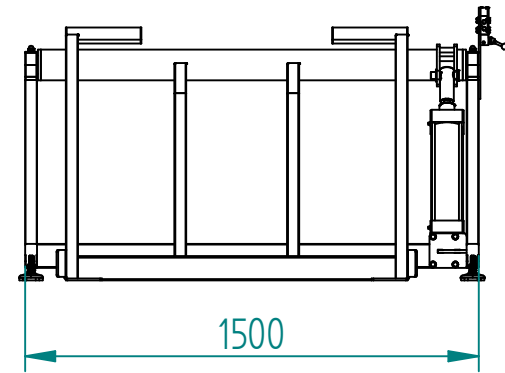
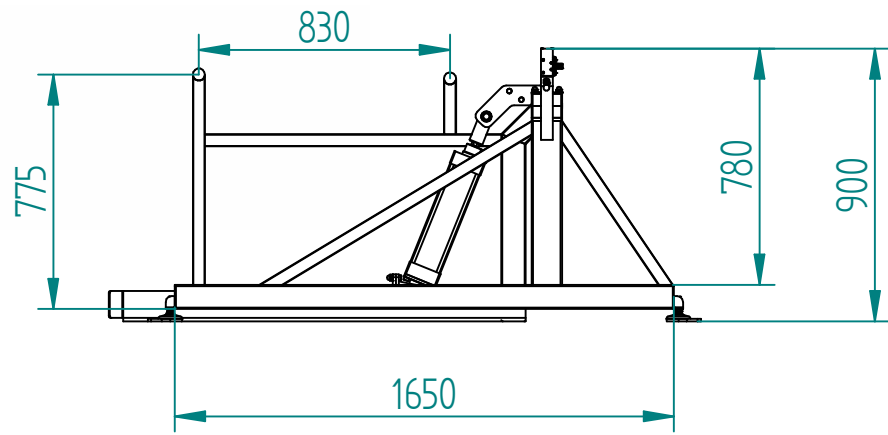
A



B



Detail = A

Units = mm

ISCA™
