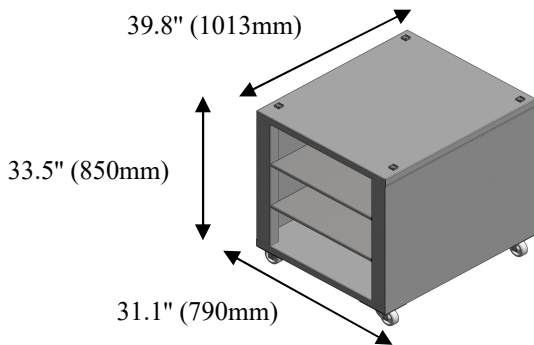
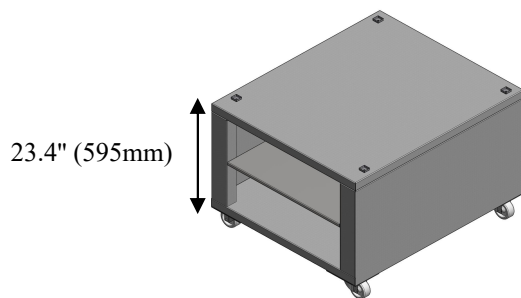


## ***Multi-use general purpose food equipment stand***

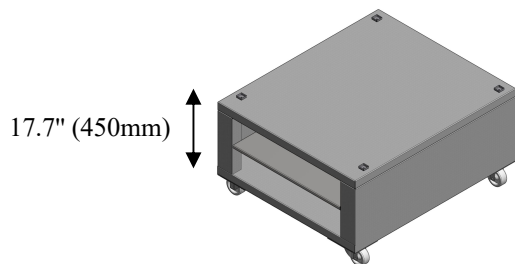
- Very robust
- Hygienic stainless steel construction
- High load bearing
- Lockable wheels



High Base with castors



Medium Base with castors



Low Base with castors



Real life example - oven on top of HIGH base stand