

accurate dosing

BELDOS

FILLING MACHINES | PUMPS & MORE...

12 months warranty

Bellow Depositor

The most ergonomic design!

Beldos offers a range of versatile volumetric stainless steel depositors with optional attachments for depositing, injection, layering and decoration. Beldos depositors will replace your pastry bag, spoon or a measuring cup and will become the most reliable, easy-to-use and intelligent equipment at your production!

1. The Bellow Depositor is available in four series:

- 275 – 5-275 ml per deposit
- 670 – 5-670 ml per deposit
- 1340 – 5-1340 ml per deposit
- 1340 XL – 5-1340 ml per deposit (with a hopper of 220 l)

2. Design features:

- mounted on a mobile low non-adjustable frame on wheels
- hopper can be easily filled and cleaned in the lowest position
- hopper: 18 l / 25 l / 60 l / 220 l
- 3 operation modes:
 - foot pedal
 - handgun switch
 - automatic sensor on the conveyor



everyone can work with it
100 % hygiene control



CLICK HERE TO WATCH THE MOVIE

time saving
up to 120 deposits/min

SPECIFICATIONS

	Bellow 275	Bellow 670	Bellow 1340/ 1340 XL
--	------------	------------	-------------------------

ATTENTION! AIR COMPRESSOR IS REQUIRED!

POWER	Air: 29 l/min at 30 deposits/min, 7 Bar/102 PSI	Air: 121 l/min at 30 deposits/min, 7 Bar/102 PSI	Air: 219 l/min at 30 deposits/min, 7 Bar/102 PSI
DEPOSIT RANGE	5-275ml	5-670 ml	5-1340 ml
DEPOSIT SPEED	up to 120 deposits/min		
PARTICLE SIZE	max. 25 mm soft particles (cooked apple chunks, etc.)	max. 25 mm soft/hard particles (cooked meat, etc.)	max. 25 mm soft/hard particles (cooked meat, etc.)
MATERIAL	stainless steel		

quick cleaning



rotation cylinder

MEDIUM t°	0° - 60° C
COLD t°	-8° - 0° C
HOT t°	above 60° C



product cylinder

more than 60 nozzles available

fast, accurate, clean & easy dosing

18 l, 25 l, 60 l, 220 l conical or vertical hoppers



adjust the speed



adjust the volume



DEPOSIT VOLUME PER SERIES

Cylinder size mm	min volume	series 275	series 670	series 1340/ 1340 XL
		max volume		
28	5	40	60	120
40	10	86	140	280
52	30	151	240	480
70	100	275	430	860
85	200	-	670	1340

tool-free assembly

dose directly
from a cooking
kettle / container

OPTIONS ATTACHMENTS



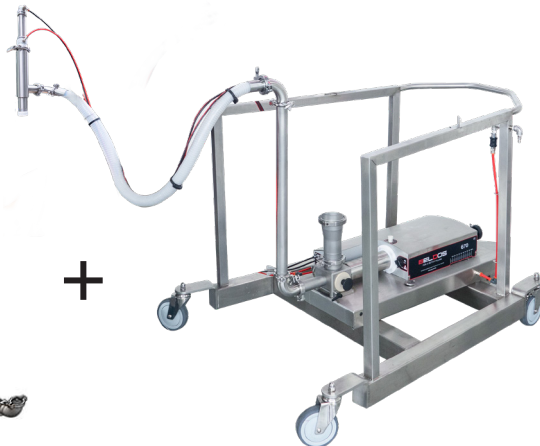
cooking kettle

+



connection hose

+



depositor



safe, fast &
accurate dosing
of cold or hot
soups, sauces,
broths, etc.



NOZZLES & ATTACHMENTS



nozzle 90°



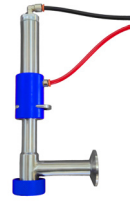
handgun nozzle



horizontal nozzle



rotary cut-off nozzle



vertical nozzle



diving nozzle
ECONO



diving nozzle



sheet icing nozzle



spreader &
icing attachment



automatic programmable dosing system

SEE A COMPLETE OVERVIEW OF THE OPTIONS IN THE PRICELIST

APPLICATIONS

sweet & savoury products

hot products ^{+120°}



DEPOSITING



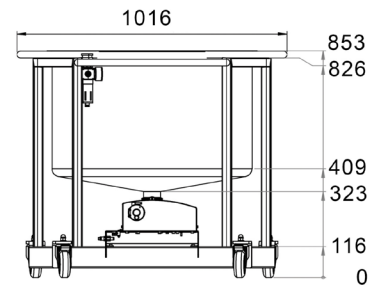
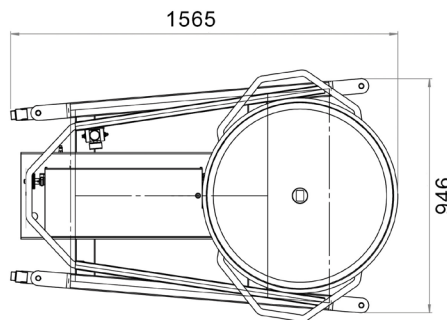
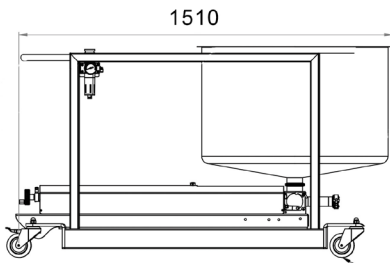
depositing of salads, soup, sauces, mashed potatoes, minced meat, jam, jelly, fruit filling, cream, mousse, rice porridge, etc.



DIMENSIONS

Bellow 1340 XL

*top quality
equipment*



Dimensions for Bellow 275, 670, and 1340 are available upon request.

*all stainless
steel construction*

CE certified