

accurate dosing

BELDOS

FOR A BETTER FILLING

18 months warranty

Bellift Depositor

The most ergonomic design!

Beldos offers a range of versatile volumetric stainless steel depositors with optional attachments for depositing, injection, layering and decoration. Beldos depositors will replace your pastry bag, spoon or a measuring cup and will become the most reliable, easy-to-use and intelligent equipment at your production!

1. The Bellift depositor is available in three series:

- 275 – 5-275 ml per deposit
- 670 – 5-670 ml per deposit
- 1340 – 5-1340 ml per deposit

2. Design features:

- mounted on a mobile frame pneumatically adjustable in height for the most convenient operation
- hopper can be easily filled and cleaned in the lowest position
- a removable table can be adjusted in height depending on the production needs
- hoppers: 18 l / 25 l / 60 l
- 2 operation modes:
 - foot pedal
 - handgun switch



everyone can work with it

100% hygiene control



CLICK HERE TO WATCH THE MOVIE

time saving

up to 120 deposits/min

SPECIFICATIONS

Bellift 275

Bellift 670

Bellift 1340

ATTENTION! AIR COMPRESSOR IS REQUIRED!

POWER	Air: 29 l/min at 30 deposits/min, 7 Bar/102 PSI	Air: 121 l/min at 30 deposits/min, 7 Bar/102 PSI	Air: 219 l/min at 30 deposits/min, 7 Bar/102 PSI
DEPOSIT RANGE	5-275 ml	5-670 ml	5-1340 ml
DEPOSIT SPEED	up to 120 deposits/min		



deposit speed:
up to 120
deposits/min



particle size:
max Ø 2,5 cm



stainless steel

*fast, accurate,
clean & easy dosing*

*more than 60
nozzles available*

18 l / 25 l / 60 l
conical or vertical
hoppers

pneumatically adjustable in
height frame

*quick
cleaning*



rotation cylinder



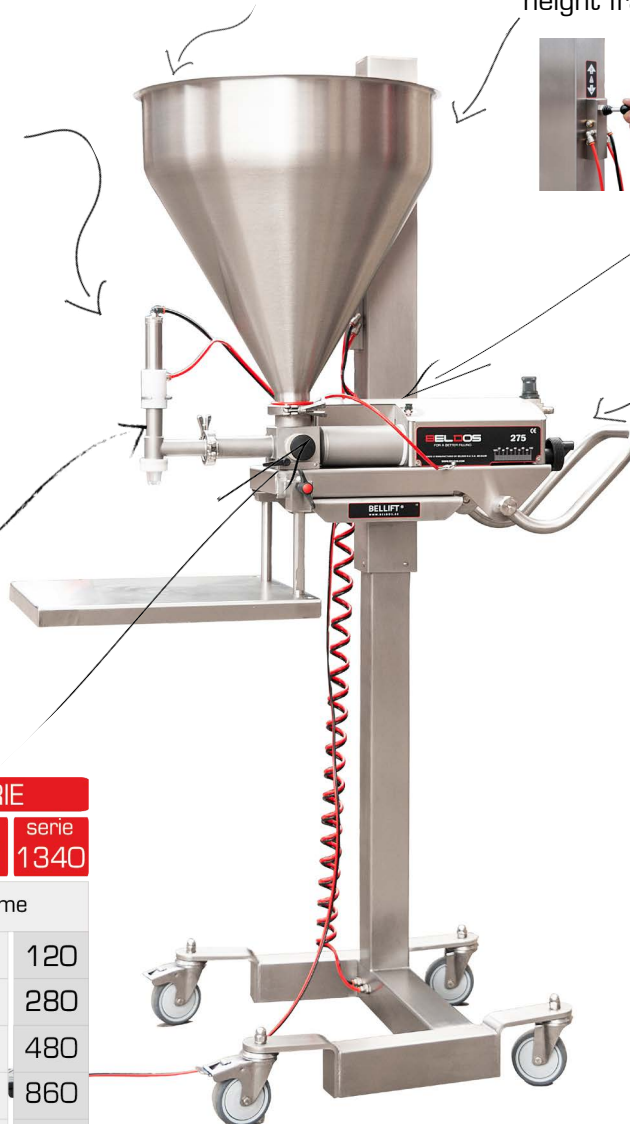
MEDIUM t°	0° - 60° C
COLD t°	-8° - 0° C
HOT t°	above 60° C



product cylinder

DEPOSIT VOLUME PER SERIE

Cylinder size mm	min volume	serie 275	serie 670	serie 1340
		max volume		
28	5	40	60	120
40	10	86	140	280
52	30	151	240	480
70	100	275	430	860
85	200	-	670	1340



adjust the speed



adjust the volume



*tool-free
assembly*



CONFIGURATION



+



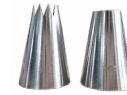
+



+



+



APPLICATIONS



*save ingredients
by correct dosing*

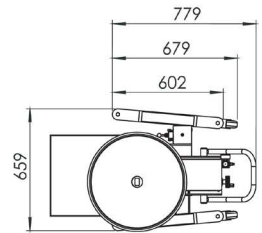
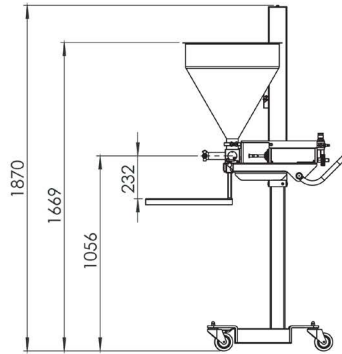
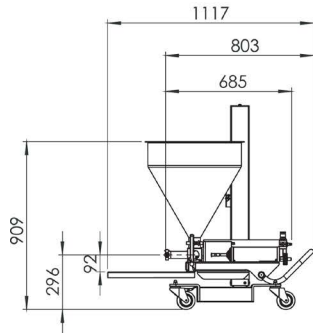
*increased
production
efficiency*



DIMENSIONS

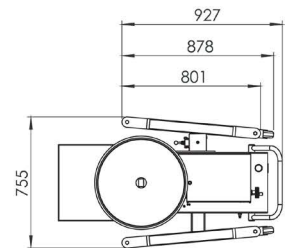
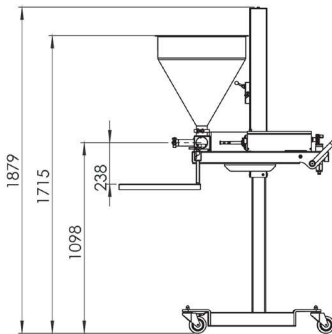
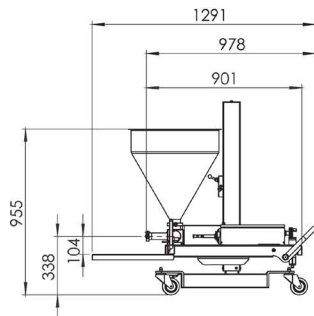
Bellift 275

*top quality
equipment*



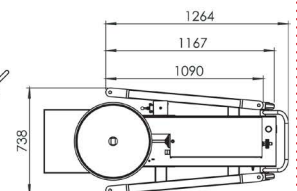
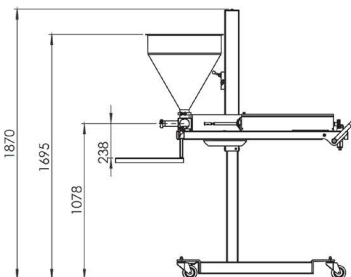
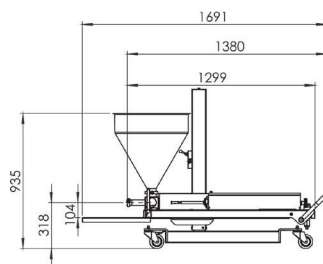
Bellift 670

*all stainless
steel construction*



Bellift 1340

CE certified



Beldos N.V.
Industrielaan 10 +32 3 646 40 48
2950 Kapellen info@beldos.be
Antwerp province www.beldos.com
Belgium

