

Image A

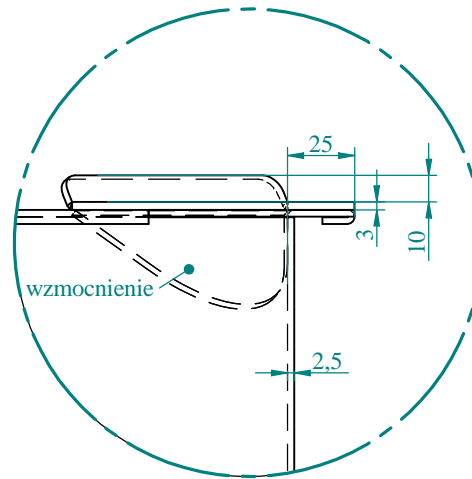
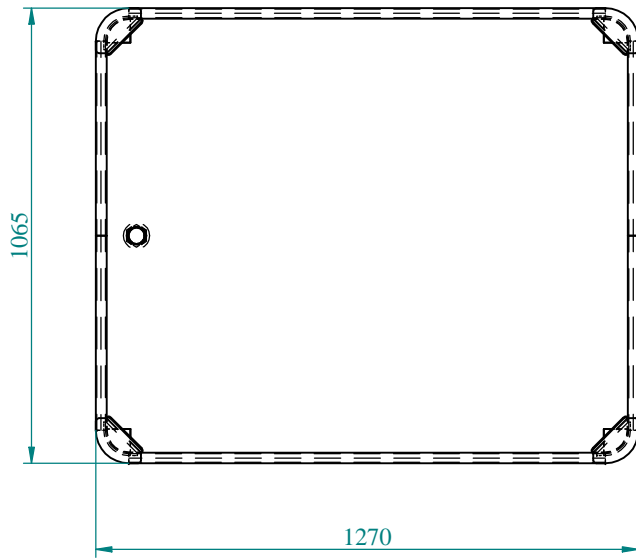
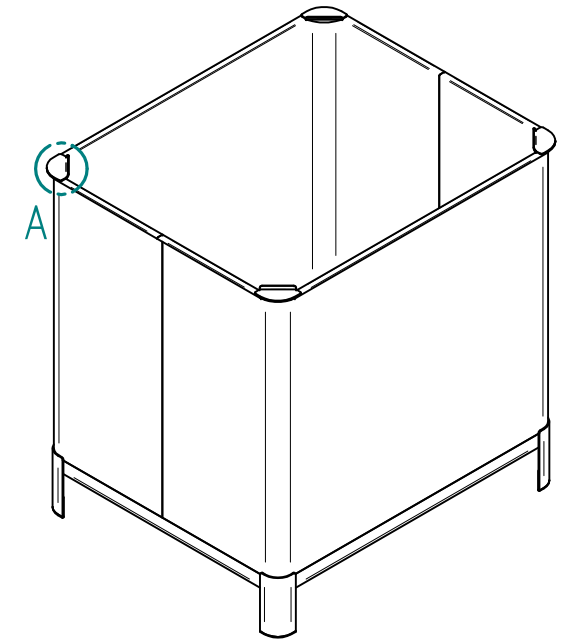
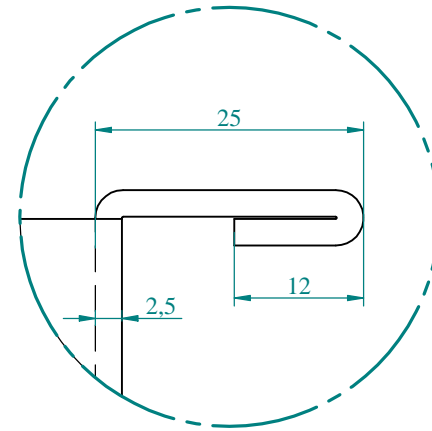
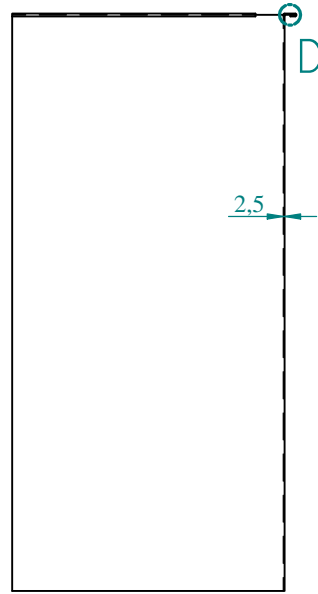
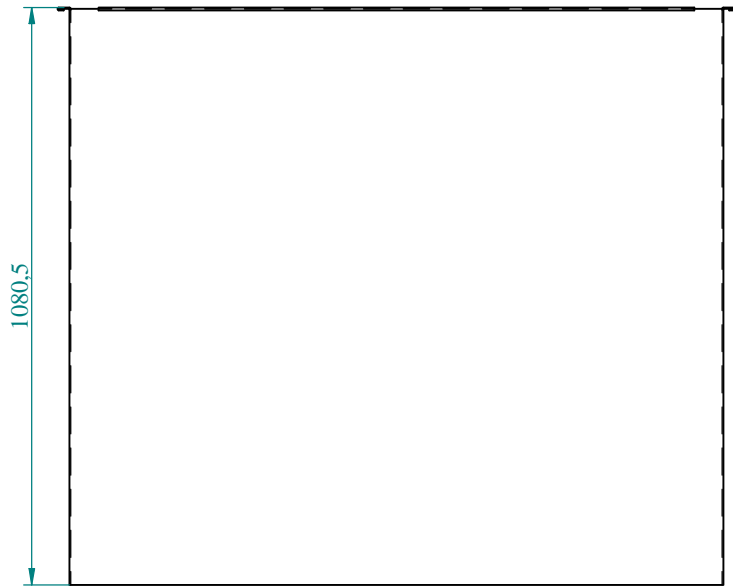


Image B

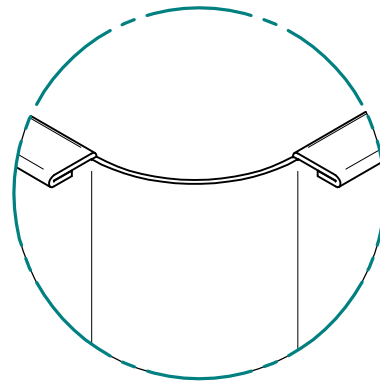
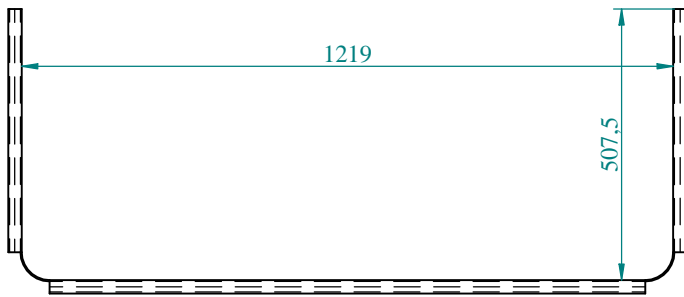
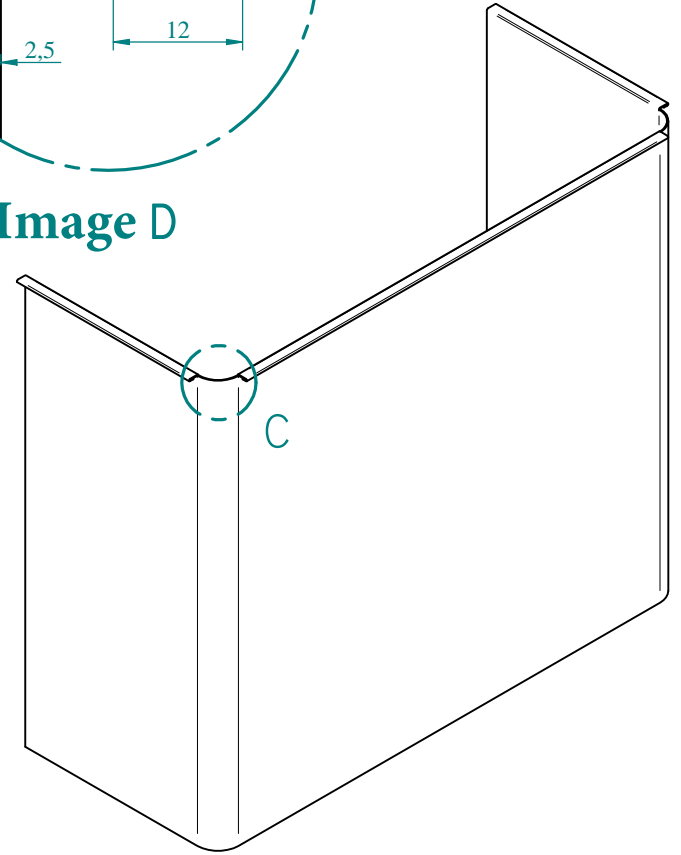


Units = mm





**Image D**



**Image C**

