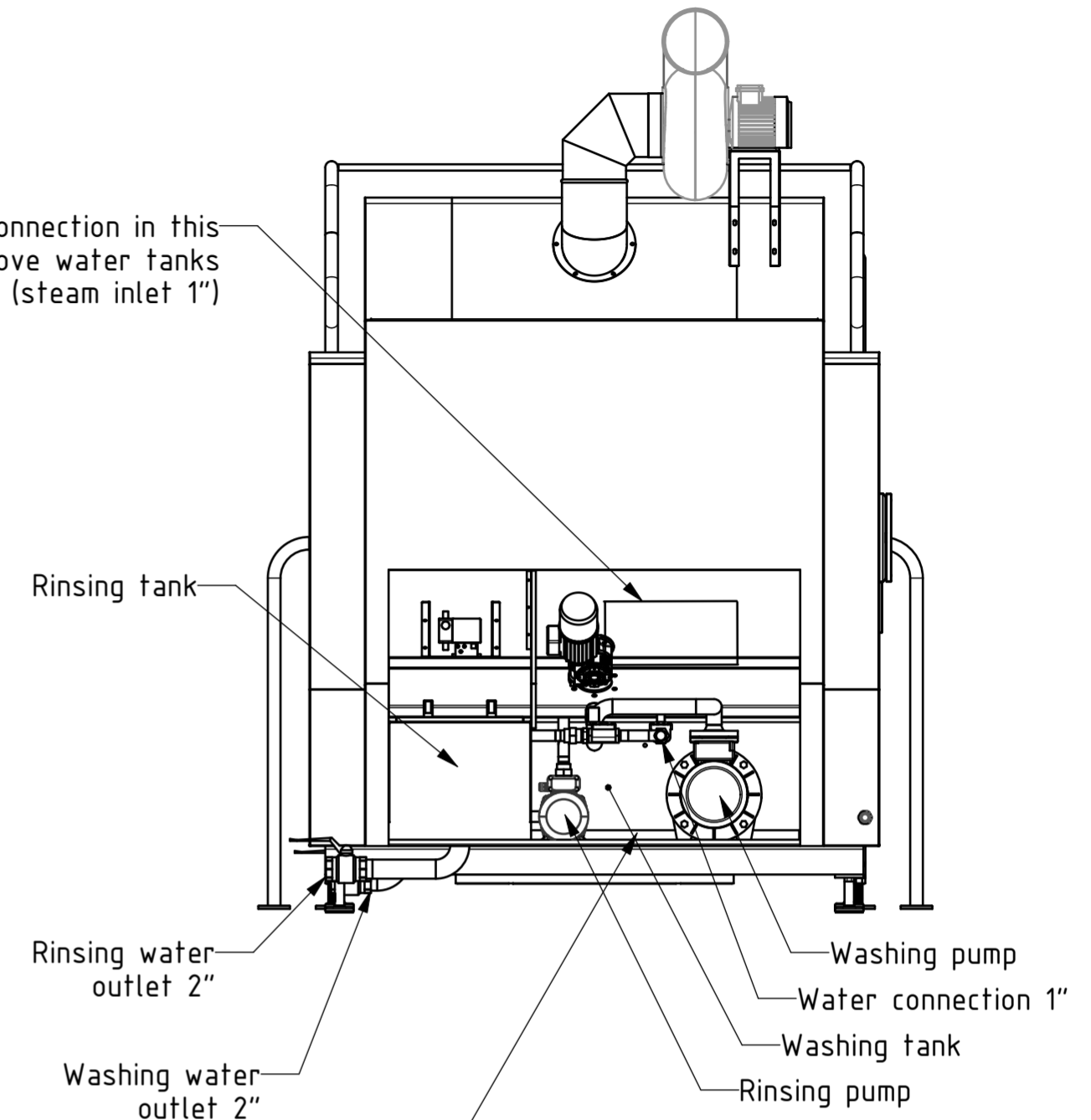


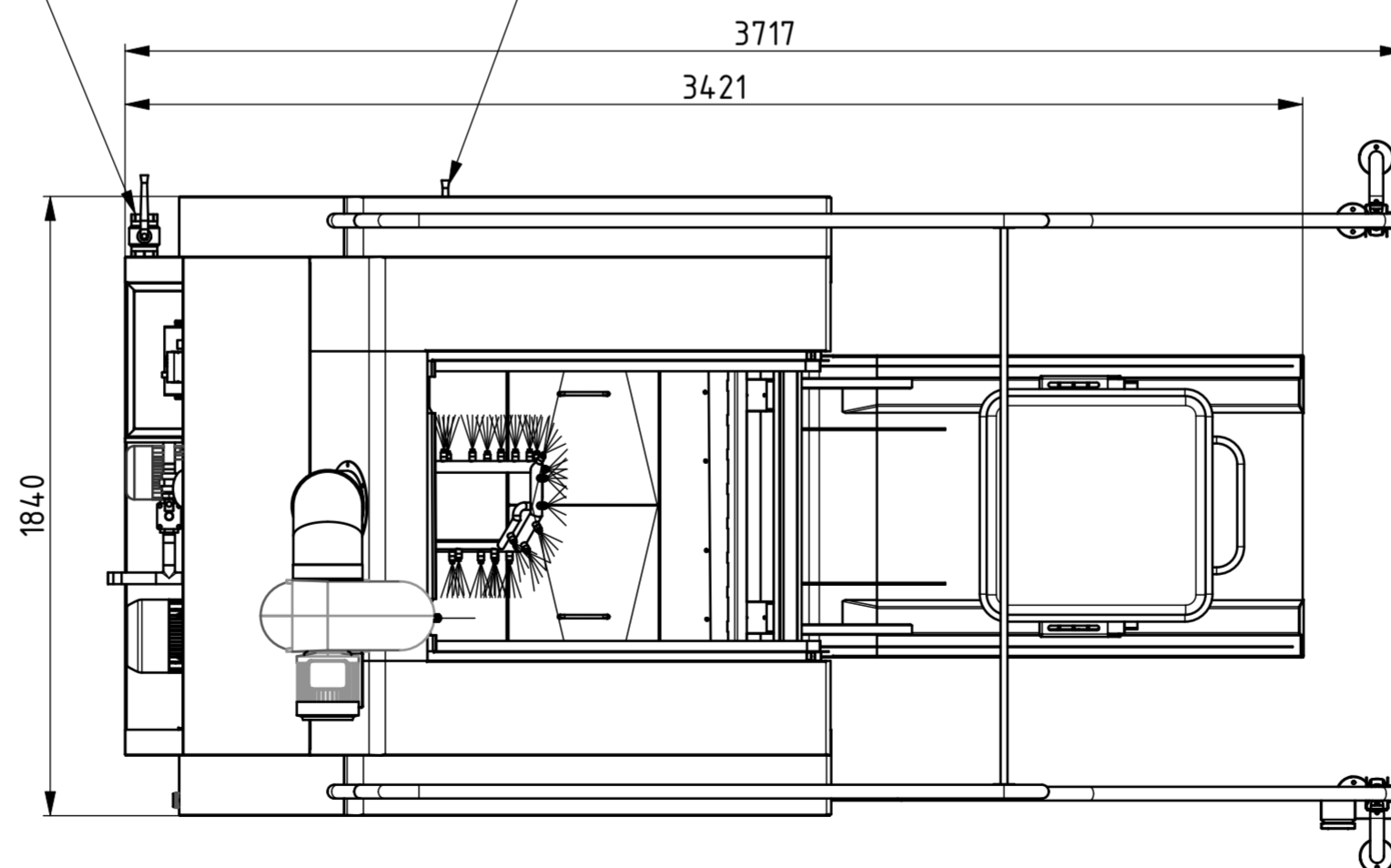
Steam connection in this area above water tanks (steam inlet 1")



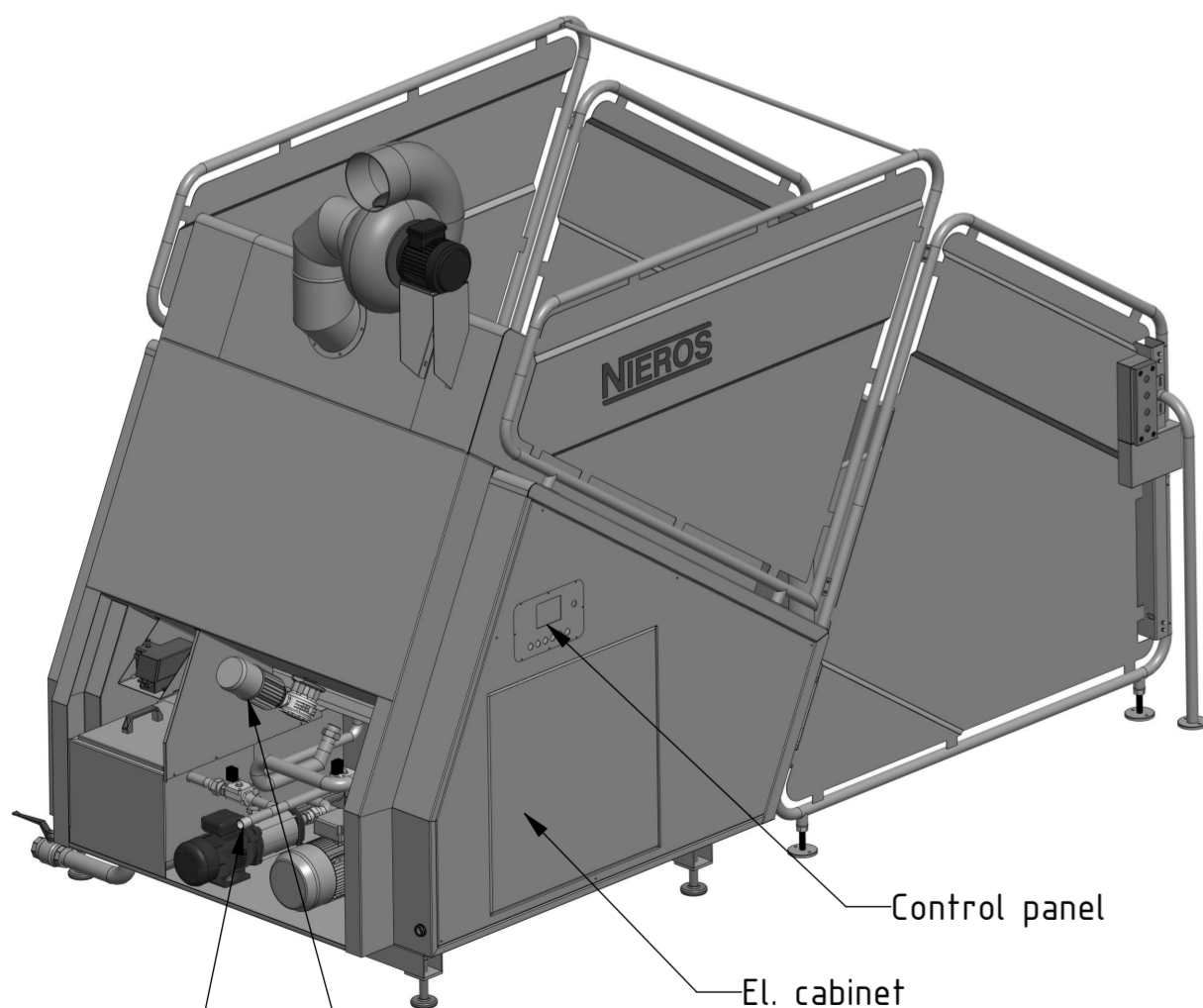
Rinsing water outlet 2"

Washing water outlet 2"

Steam outlet in lower part of the opening (if direct steam heating, then there is NO outlet)



Operating panel



Water inlet 1"
 Steam inlet on upper position of opening (above the pumps)
 Control panel
 El. cabinet



CLK 300